

1-086 Quarter-Turn with FIAT Insert Pr.20.1 L18

Tool operable, IP65, Grounding nut

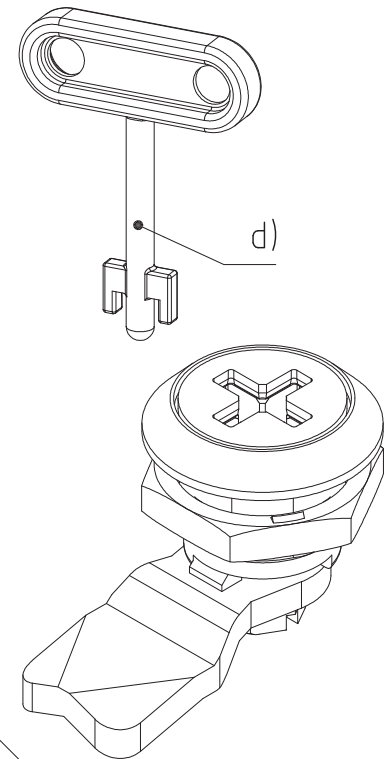
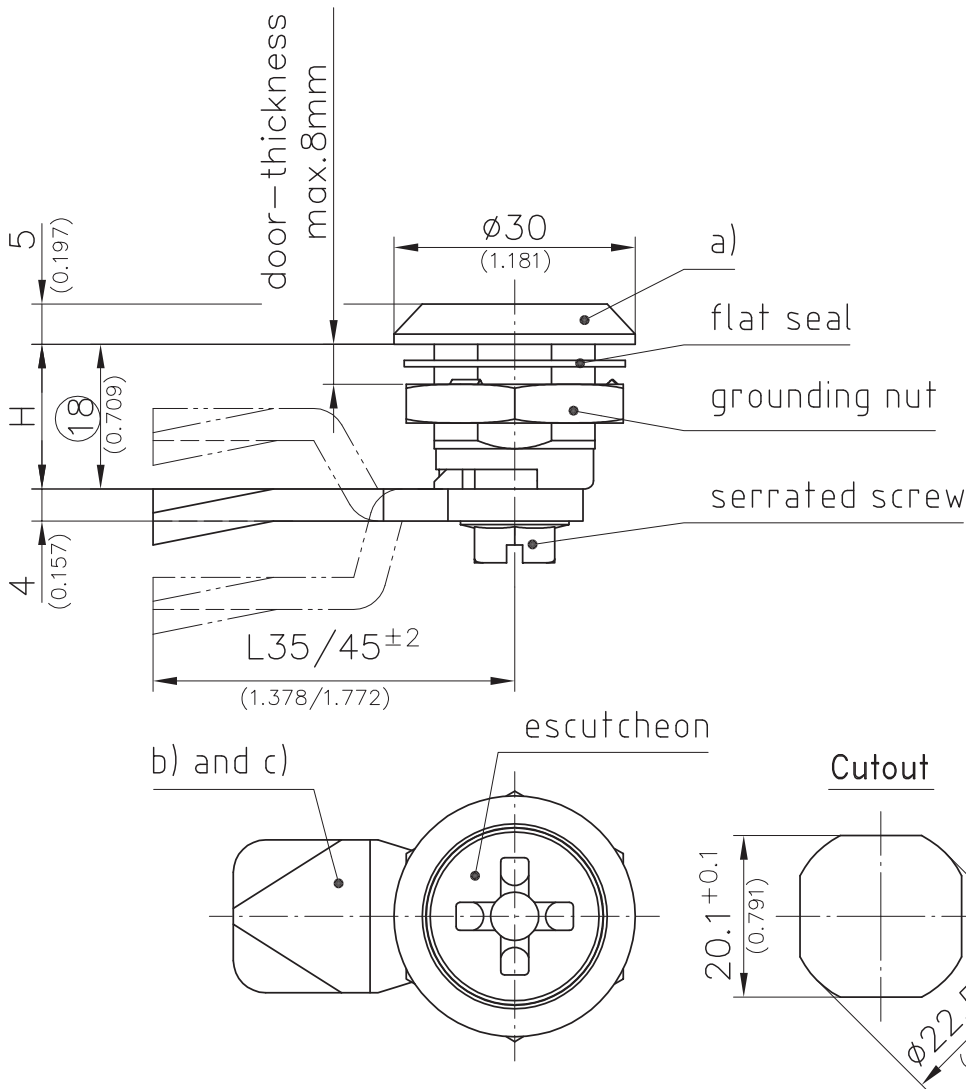
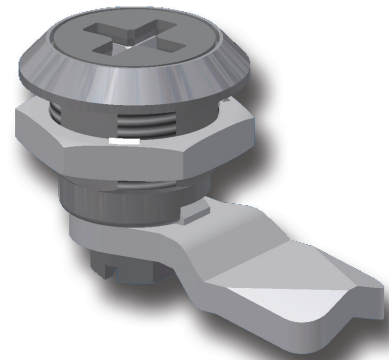


Product Notes:

- Special key required
- The key is removable at 90° turns
- RH and LH application
- Components can be pre-assembled by DIRAK upon request
- Water and dust tight according to IP65, DIN EN 60529
- Grounding achieved with grounding nut
- Cutout 20.1mm
- Tool-less installation - see Product System 1-086SL

Material:

- **Housing:** Zinc Die, Chrome Plated or Black
- **Insert and escutcheon:** Zinc Die, Chrome Plated
- **Grounding nut:** Zinc Die
- **Flat external seal:** NBR/Perbunan, Black
- **O-Ring:** NBR/Perbunan, Back
- **Serrated screw:** Steel, Zinc Plated



	Housing - Zinc Die Chrome Plated	Housing - Zinc Die Black	See Page
a) Quarter-Turn version FIAT	255-9811.00-00000	255-9861.00-00000	
b) Cams			01.24, 01.42, 01.101, 01.102, 03.42
c) 3-point cams			01.101, 03.43
d) Key	204-0302.42-00000	204-0302.42-00000	
e) Please contact DIRAK for Part No. of a completely pre-assembled Quarter-Turn.			